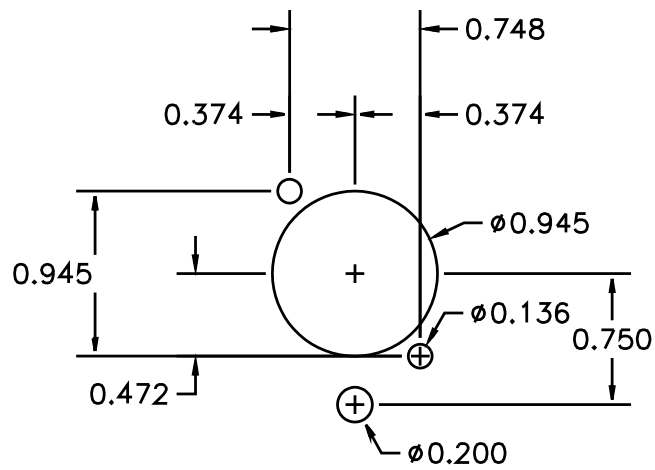
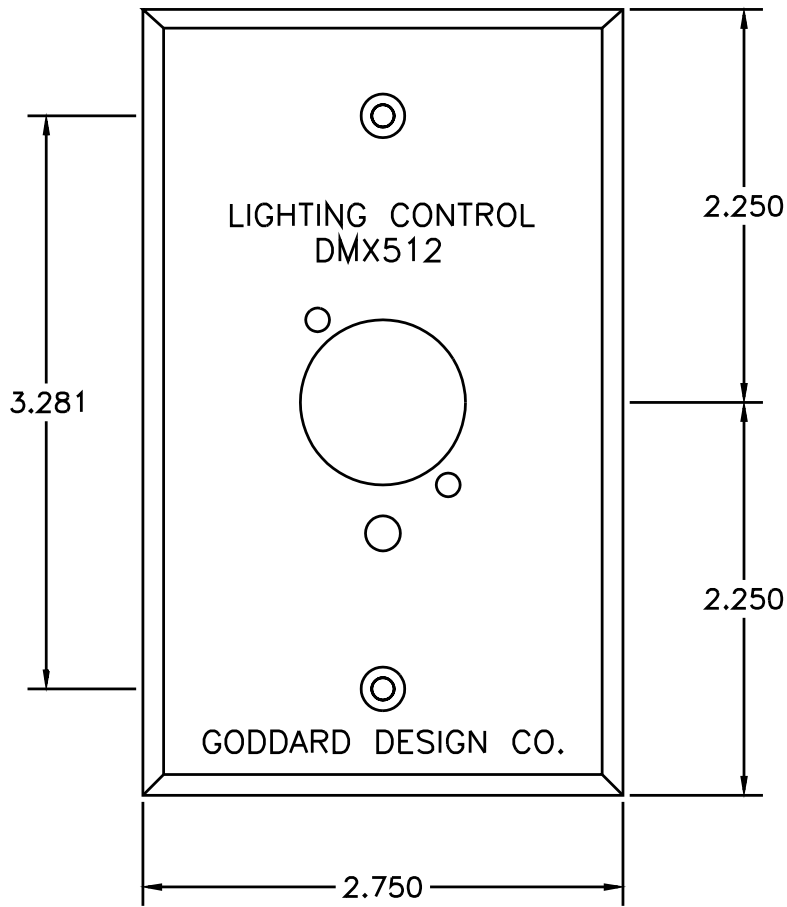


DMX-Net RDM Cover Plate Punching Guide.

COVER PLATE PUNCHING



CONNECTOR MOUNTING LAYOUT



PRE-PUNCHED FLUSH PLATE

file = NET_PPUN.DWG